

en Quick Installation Guide

1

x4 x4 x1 x1 x1 x1 x1

A B

2

3

4

UNI-MDP DH180 UNI-BBB2

5

TEMPLATE

Ø 73

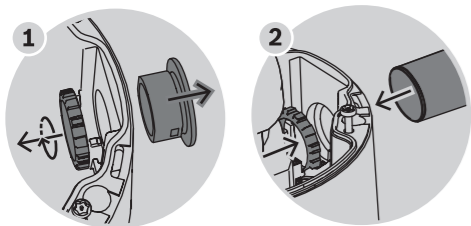
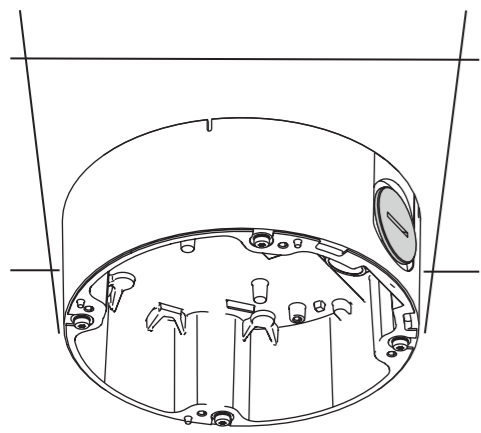
6

7

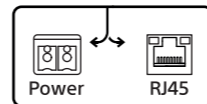
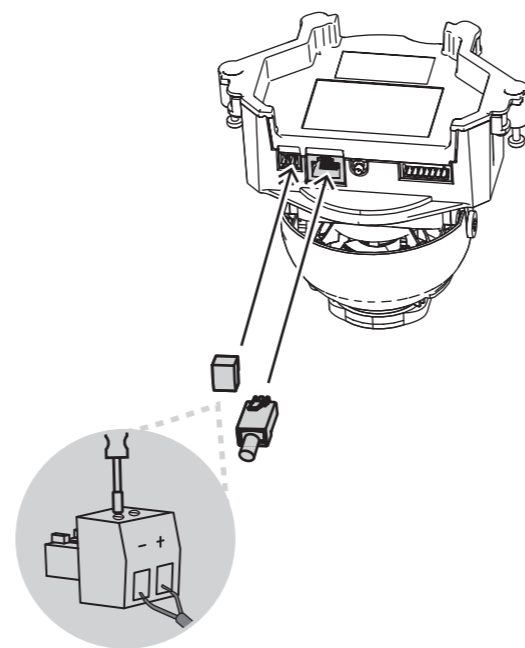
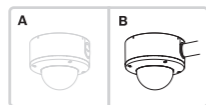
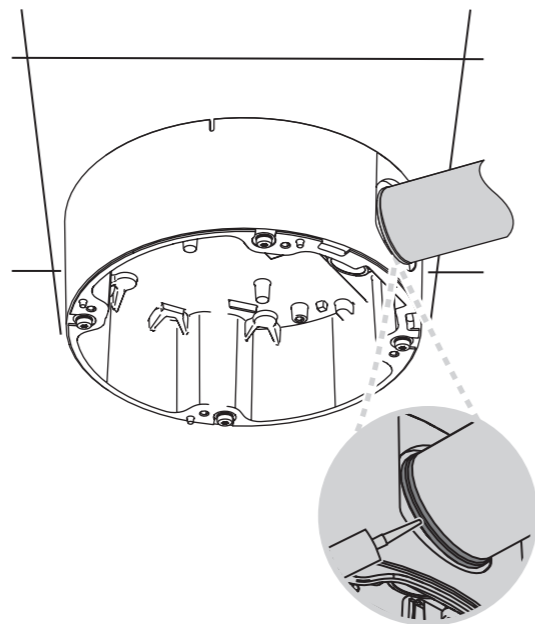
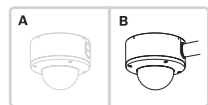
Ø (6 - 7) mm

A B

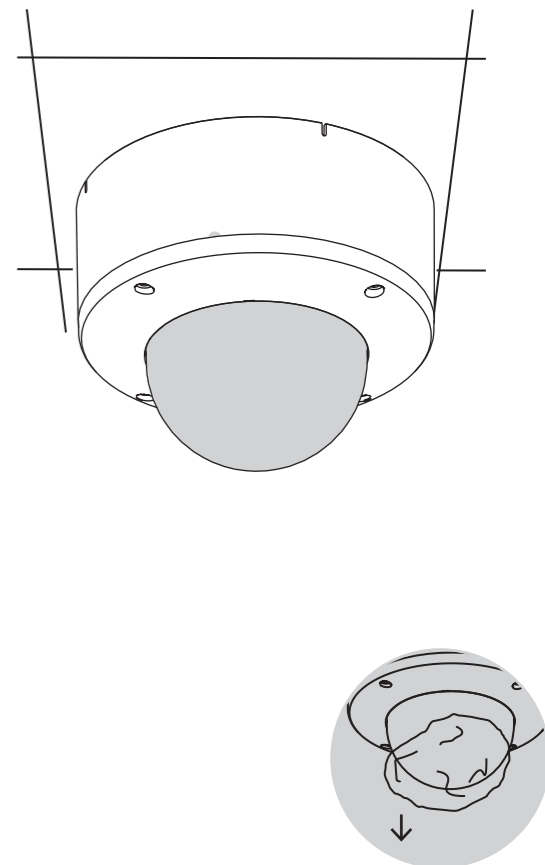
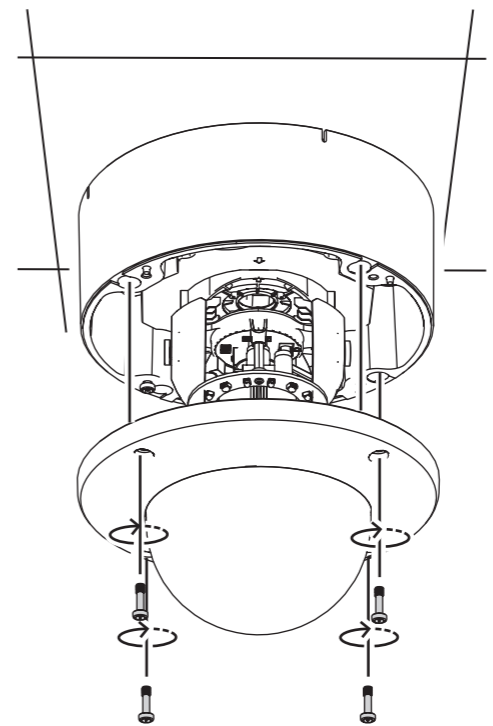
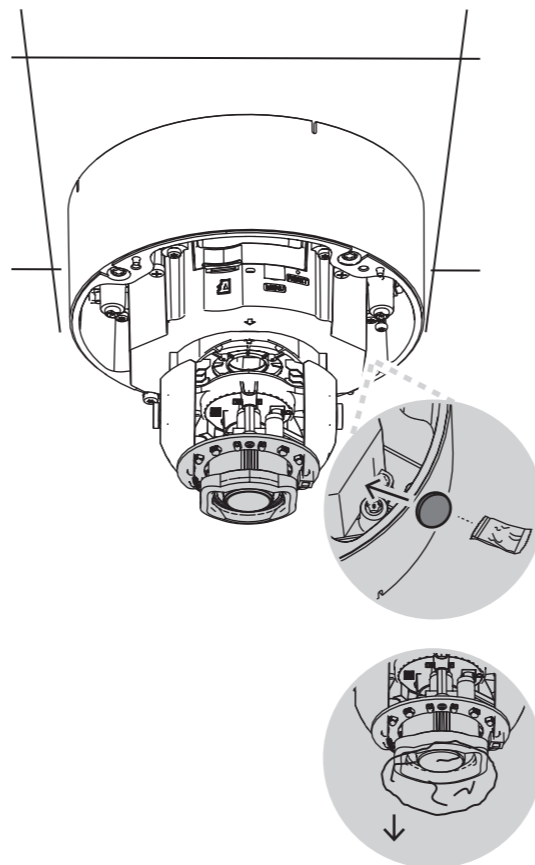
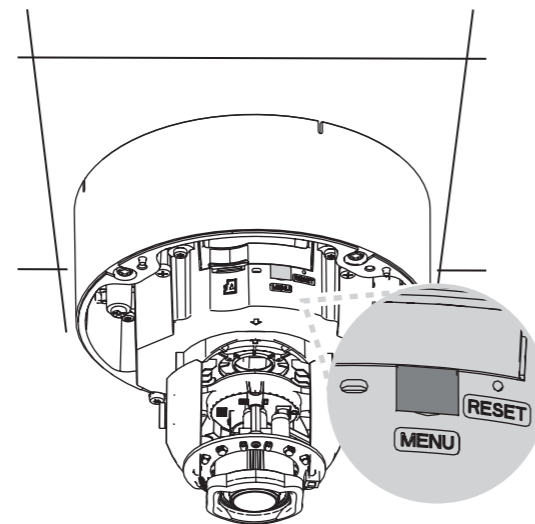
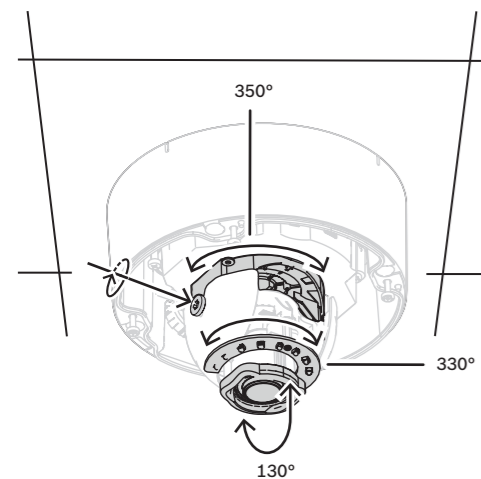
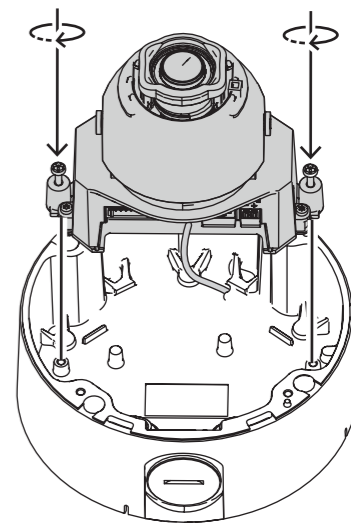
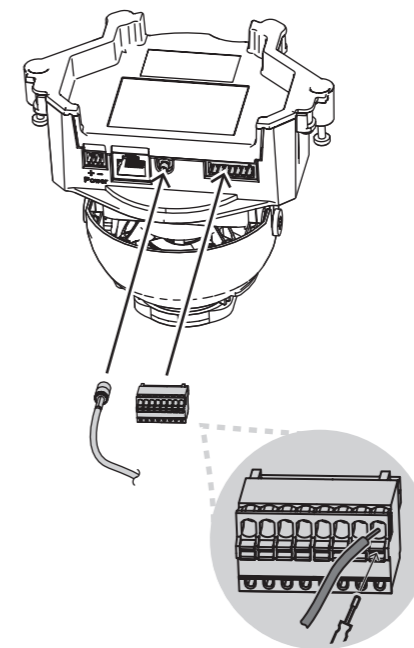
8



NPT3/4



If powered by a power adapter, the adapter should be properly grounded



1. <2s> On	2. >2s> 180°	3. <2s> Default
4. <2s> Focus - autofocus	5. <2s> Zoom (0-6) ↑<2s> ↓<2s>	6. >2s> Zoom OK - autofocus
7. <2s> Focus & Zoom OK	8. <2s> Analog format (→<2s> ←<2s>)	9. >2s> Output OK